



# ARI-STOBU® PN16-40

## Stop Valve with Gland Seal

Fig. 006

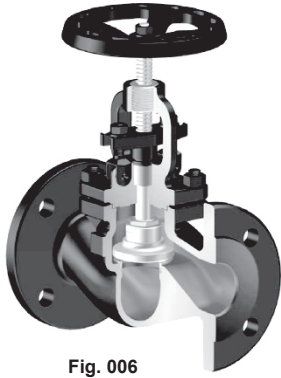
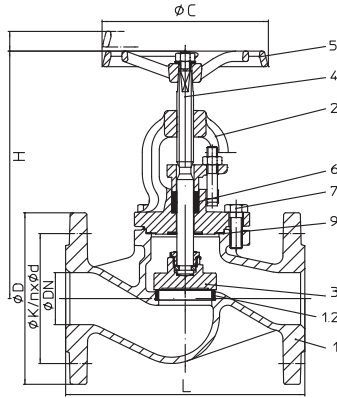


Fig. 006



### Features:

- Solid plug made of stainless material
- Solid stem made of stainless material
- Solid seat made of stainless material
- Favourable zeta-values also for small nominal diameters
- Proven technology
- Stem with roll hardened thread
- Burnished stem
- High-tensile gland packing

### In cast steel, forged steel and stainless steel:

- Bonnet top with threaded bushing
- Pivot mounted bolts

### Selection of possible applications

Industry, power stations, flue gas purification plant, vapour facilities, recycling facilities, shipbuilding, general plant manufacturing (other applications on request)

### Selection of possible flow media

Steam, gases, liquids, etc. (other flow media on request)

| Figure | Nom. pressure | Material  | Nom. diameter |
|--------|---------------|-----------|---------------|
| 12.006 | PN16          | EN-JL1040 | DN15-300      |
| 22.006 | PN16          | EN-JS1049 | DN15-350      |
| 23.006 | PN25          | EN-JS1049 | DN15-150      |
| 34.006 | PN25          | 1.0619+N  | DN15-500      |
| 35.006 | PN40          | 1.0619+N  | DN15-500      |

Test: • 34.006 DN15-400: Test approvals TÜ.A/TÜV.AR.187-00  
 • 35.006 DN15-200: Test approvals TÜ.A/TÜV.AR.187-00  
 • DN15-300 optional: German TA-Luft TÜV-Test-No. 922-9204866

### Dimension

|            | DN     | 15  | 20  | 25  | 32  | 40  | 50  | 65  | 80  | 100 | 125 | 150 | 200 | 250  | 300  | 350  |
|------------|--------|-----|-----|-----|-----|-----|-----|-----|-----|-----|-----|-----|-----|------|------|------|
| L          | (mm)   | 130 | 150 | 160 | 180 | 200 | 230 | 290 | 310 | 350 | 400 | 480 | 600 | 730  | 850  | 980  |
| H          | (mm)   | 185 | 185 | 205 | 205 | 230 | 230 | 270 | 305 | 355 | 395 | 450 | 570 | 685  | 770  | 860  |
| ØC         | (mm)   | 120 | 120 | 140 | 140 | 160 | 160 | 180 | 200 | 225 | 250 | 400 | 520 | 520  | 520  | 640  |
| Travel     | (mm)   | 9   | 9   | 13  | 13  | 21  | 19  | 28  | 32  | 36  | 52  | 56  | 73  | 80   | 110  | 116  |
| Kvs-value  | (m³/h) | 4.2 | 7.4 | 12  | 19  | 31  | 47  | 77  | 120 | 188 | 288 | 410 | 725 | 1145 | 1635 | 2220 |
| Zeta-value | --     | 4.6 | 4.7 | 4.3 | 4.6 | 4.3 | 4.5 | 4.8 | 4.5 | 4.5 | 4.7 | 4.8 | 4.9 | 4.8  | 4.8  | 4.9  |

Zeta-value ... range of tolerance for Kvs-values acc. to VDI/VDE 2173

### Material

| Pos. | Description    | Fig. 12.006  | Fig. 22./23.006  | Fig. 34./35.006  |
|------|----------------|--|--|--|
| 1    | Body           | EN-JL1040, EN-GJL-250                                      | EN-JS1049, EN-GJS-400-18U-LT                               | GP240GH+N, 1.0619+N  |
| 1.2  | Seat ring      | X20Cr13+QT, 1.4021+QT                                      | X20Cr13+QT, 1.4021+QT                                      | DN ≤50: X20Cr13+QT, 1.4021+QT<br>DN >50: G19 9 Nb Si, 1.4551 |
| 2    | Bonnet         | EN-JL1040, EN-GJL-250                                      | EN-JS1049, EN-GJS-400-18U-LT                               | GP240GH+N, 1.0619+N  |
| 3    | Plug *         | DN ≤200: X20Cr13+QT, 1.4021+QT<br>DN >200: P265 GH, 1.0425 | DN ≤200: X20Cr13+QT, 1.4021+QT<br>DN >200: P265 GH, 1.0425 | DN ≤200: X20Cr13+QT, 1.4021+QT<br>DN >200: P265 GH, 1.0425   |
| 4    | Stem *         | X20Cr13+QT, 1.4021+QT (burnished)                          | X20Cr13+QT, 1.4021+QT (burnished)                          | X20Cr13+QT, 1.4021+QT (burnished)                            |
| 5    | Handwheel      | EN-JL1040, EN-GJL-250 (FE 13 epoxy-coating)                |  |  |
| 6    | Packing ring * | Pure graphite  |  |  |
| 7    | Hexagon bolt   | 5.6  | --   | --   |
| 7    | Stud           | --   | 25CrMo4, 1.7218  | 25CrMo4, 1.7218  |
| 8    | Hexagon nut    | --   | C35E, 1.1181   | C35E, 1.1181   |
| 9    | Gasket *       | Pure graphite (CrNi laminated with graphite)               |  |  |
| 10   | Insert nuts    | --   | --   | 11SMn30+C, 1.0715+C  |

\*Spare part

### Pressure Temperature Ratings

| Material  | PN |       | -60°C to <-10°C | -10°C to 120°C | 150°C | 200°C | 250°C | 300°C | 350°C | 400°C | 450°C |
|-----------|----|-------|-----------------|----------------|-------|-------|-------|-------|-------|-------|-------|
| EN-JL1040 | 16 | (bar) | --              | 16             | 14.4  | 12.8  | 11.2  | 9.6   | --    | --    | --    |
| EN-JS1049 | 16 | (bar) | on request      | 16             | 15.5  | 14.7  | 13.9  | 12.8  | 11.2  | --    | --    |
| EN-JS1049 | 25 | (bar) | on request      | 25             | 24.3  | 23    | 21.8  | 20    | 17.5  | --    | --    |
| Material  | PN |       | -60°C to <-10°C | -10°C to 120°C | 150°C | 200°C | 250°C | 300°C | 350°C | 400°C | 450°C |
| 1.0619+N  | 25 | (bar) | 18.7            | 25             | 23.9  | 22    | 20    | 17.2  | 16    | 14.8  | 8.2   |
| 1.0619+N  | 40 | (bar) | 30              | 40             | 38.1  | 35    | 32    | 28    | 25.7  | 23.8  | 13.1  |
| 1.0460    | 25 | (bar) | 18.7            | 25             | 23.9  | 22    | 20    | 17.2  | 16    | 14.8  | 10    |
| 1.0460    | 40 | (bar) | 30              | 40             | 38.1  | 35    | 32    | 28    | 25.7  | 23.8  | 16    |

\*last updated 10/16

