

Cast iron  
16K

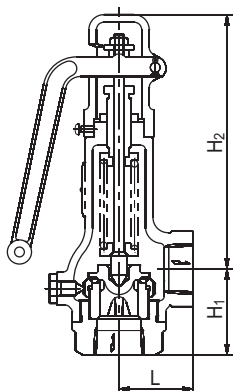
# Type RPF13 Lift Safety Relief Valves

## Features

- Lift type safety relief valve with cast iron body
- Stable operation



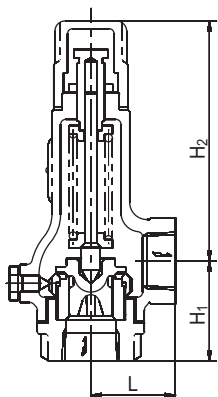
With lever opened



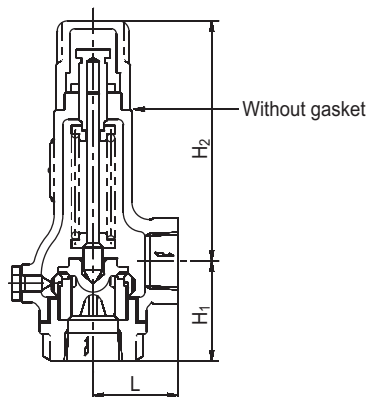
With lever opened



Non-lever



Non-lever closed



Non-lever opened

## Specifications

Spring case form	Non-lever opened	With lever opened	Non-lever closed	Non-lever closed	
Fluid	Steam, gas			Water	
Pressure	Set : 0.02 – 1.6 MPa (back pressure : atmospheric)			0.02 – 1.0MPa	
Temperature	0 – 220℃		0 – 205℃	0 – 205℃	
Material	Body	Cast iron		Cast iron	
	Valve seat	Stainless steel		Stainless steel stelled	
	Valve disc	Stainless steel		Stainless steel stelled	
	Stem	Stainless steel		Stainless steel	
	Spring case	Cast iron		Cast iron	
	Adjusting spring	Spring wire, piano wire		Spring wire, piano wire	
	Lever	—————	Cast iron	—————	—————
	Cover	Cast iron		Cast iron	
Adjusting ring	Brass		Brass		
Use for	Pressure vessel, header, outlet of PRV and piping protection				

## Dimensions and weights

(mm, kg)

Size Inlet×Outlet	L	H <sub>1</sub>	With lever	Non-lever	Connection		Weight (Non-lever)
			H <sub>2</sub>	H <sub>2</sub>	Inlet	Outlet	
15×15	40	45	160	130	Screwed JIS Rc	Screwed JIS Rc	1.5
20×20	42	50	157	127			1.6
25×25	49	58	169	139			2.1
32×32	57	71	192	162			3.5
40×40	63	78	210	180			4.7

Remarks 1. H<sub>1</sub> : 1mm less for with lever opened.  
 2. H<sub>1</sub> , H<sub>2</sub> : 1mm less for non-lever opened.