

Direct acting

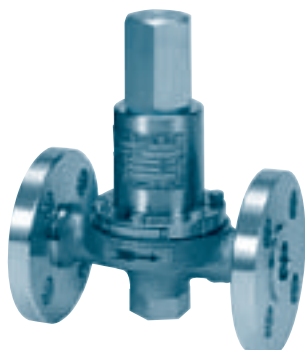
Type 67R · PPD25 Pressure Reducing Valves

For gas

- For small flow rate and small size.
- Non-bleed type.



67R PRV
Screwed



67R PRV
Flanged



PPD25 PRV
Screwed



PPD25 PRV
Flanged

1 Pressure Reducing Valves (For gas)

Specifications

Model	Fluid	Size	Pressure		Temp. (°C)	Material for main parts			Connection
			Inlet (MPa)	Outlet set range		Body	Valve disc	Diaphragm	
67R	Air & non-corrosive gases	8-15	0.055-4.0	0.035-0.16MPa 0.08-0.28MPa 0.2-0.5 MPa (Max. press. reduc. ratio : 25 : 1)	-10 +80	Stainless steel	Stainless steel (rubber printed for 1.6MPa or lower)	Synthetic rubber	Screwed JIS Rc
		10-25	0.055-2.0	Stainless cast steel		Flanged JIS20KRF			
PPD25	Air & non-corrosive gases	8	0.002-0.4	0.5-2.0kPa 1.0-5.0kPa 3.0-10 kPa 6.0-20 kPa 15-35 kPa	-10 +60	Bronze	Stainless steel (rubber printed)	Synthetic rubber	Screwed JIS Rc
		8-15				Stainless cast steel			Screwed JIS Rc
		10-25				Stainless cast steel			Flanged JIS10KFF

- Remarks
1. All valves are single seated.
 2. PPD25 should be installed in horizontal piping.
 3. ASME flange is available.

Performance

Type	67R	PPD25
Offset	10% of max.set pressure or less	12% of max.set pressure or less
Seat leakage	Nil (0.05% or less for over 1.6MPa of inlet press.)	Nil
Cv	0.04 or 0.07	0.07

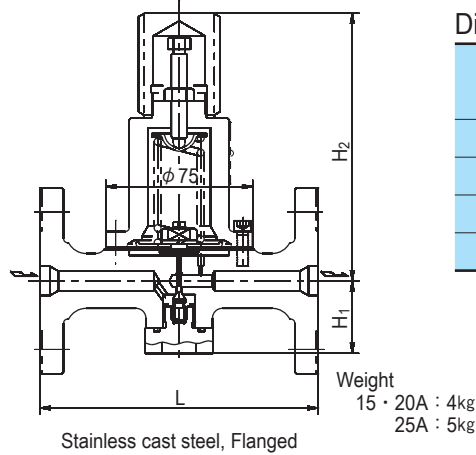
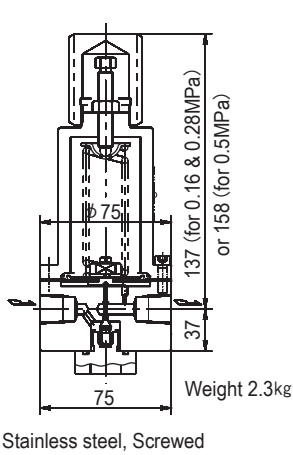
Type 67R · PPD25 Pressure Reducing Valves

1

Pressure Reducing Valves (For gas)

Construction

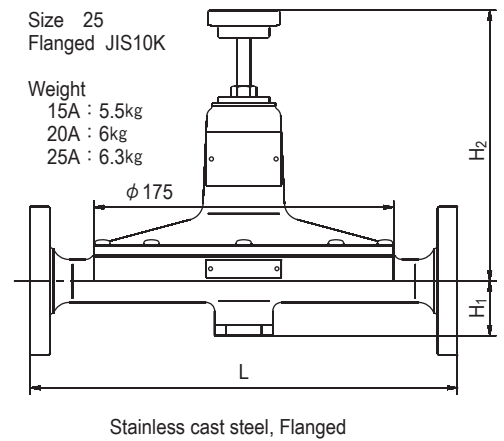
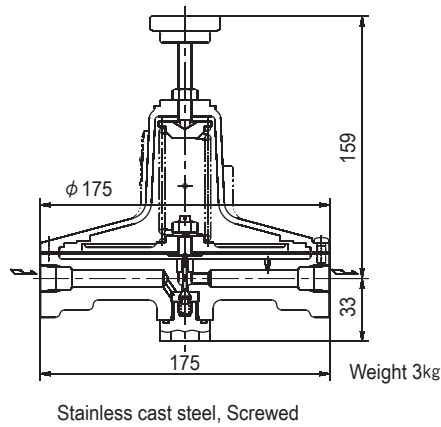
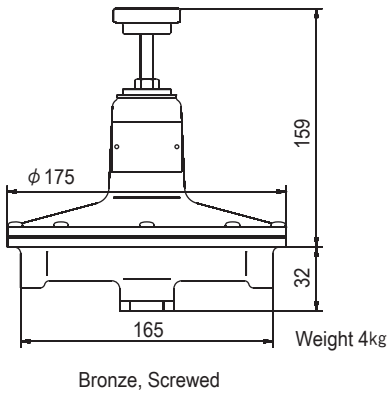
●67R Pressure Reducing Valve



Dimensions of 67R (Flanged JIS20KRF) (mm)

Size	L	H ₁	H ₂	
			For 0.168 & 0.28MPa	For 0.5MPa
10	146	37	137	158
15	146	37	137	158
20	150	33	141	162
25	150	33	141	162

●PPD25 Pressure Reducing Valve



Dimensions of PPD25 (Flanged JIS10KFF) (mm)

Size	L	H ₁	H ₂
10	252	38	159
15	252	38	159
20	256	38	159
25	256	35	162