

Pilot operated

Type B260 Back Pressure Regulating Valves

For steam

- Compact design for large flow
- For continuous flow
- Large capacity



2

Back Pressure Regulating Valves (For steam)

Specifications

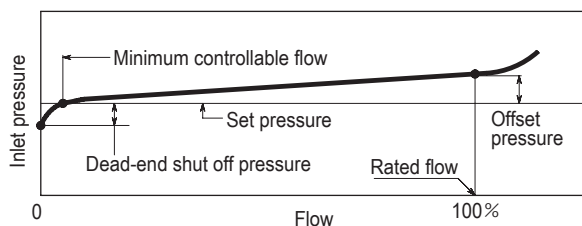
Fluid	Inlet set pressure range (MPa)	Maximum Temp. (°C)	Material for main parts				Connection	
			Body & cover	Main valve disc & seat	Piston & cylinder	Pilot valve disc & seat		Diaphragm
Steam	0.07-0.2 0.1-0.8 0.5-1.0	220	Cast iron	Stainless steel	Stainless steel	Stainless steel	Stainless steel	Flanged JIS10KRF

Remark : Cast steel body and stainless steel body are available on request.

Performance

Min. differential pressure		10% of inlet pressure (min.0.07MPa)	
Offset pressure	Set press. range	0.07-0.2, 0.1-0.8	0.03MPa or less
		0.5-1.0	0.05MPa or less
Dead-end shut off pressure	Set press. range	0.07-0.2, 0.1-0.8	0.02MPa or less
		0.5-1.0	0.04MPa or less
Minimum controllable flow		5% of rated flow	
Seat leakage		0.05% of rated flow or less	

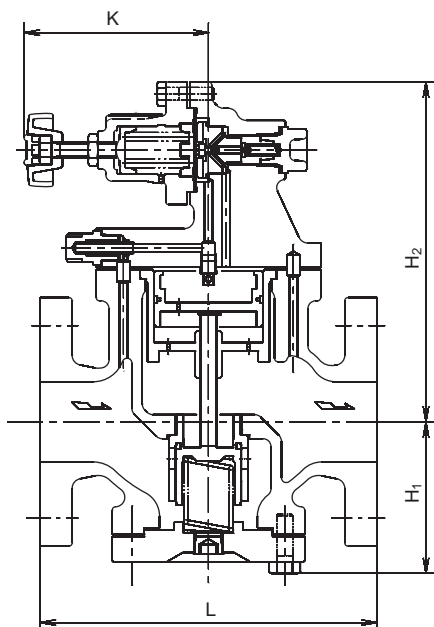
Flow characteristic curve



Cv values

Size	15	20	25	32	40	50	65	80
Cv	1.1	2.5	4.5	7	10.1	18	28.1	40.5

Construction



Dimensions and weights

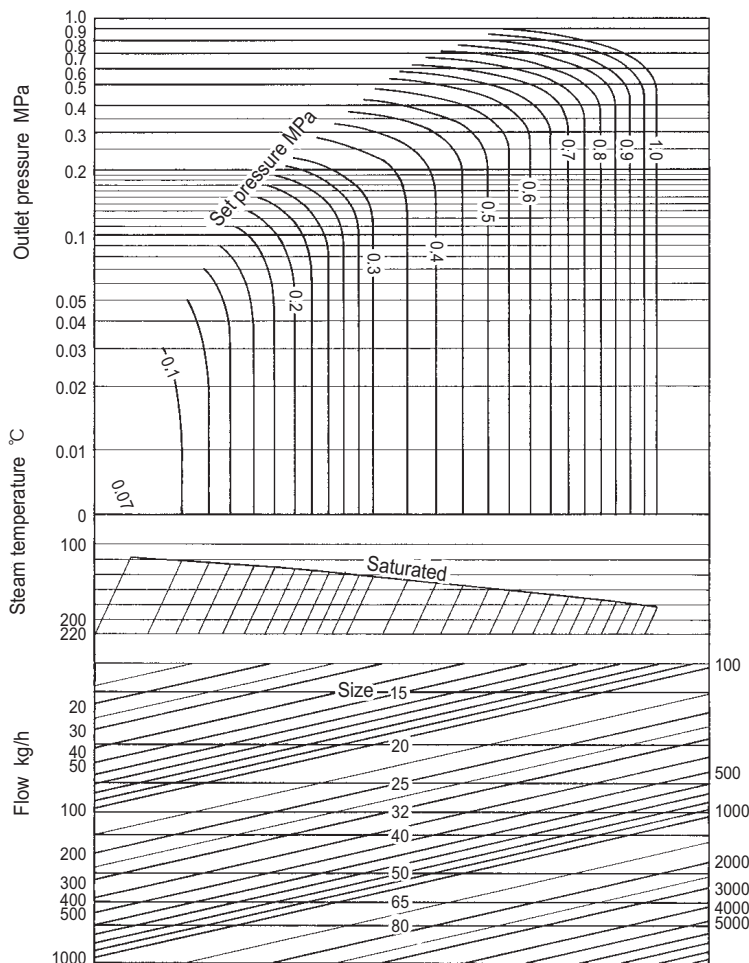
(mm, kg)

Size	L	H ₁	H ₂	K	Weight
15	145	81	171	115	8
20	150	76	176	115	8.5
25	160	74	178	115	10
32	175	79	188	115	12
40	190	85	198	111	14
50	210	95	212	111	18
65	235	112	231	111	26
80	265	123	248	111	32

Remarks 1. K show the dimension under no compression of the adjusting spring
 2. Sizes up to 150mm are available.

Type B260 Back Pressure Regulating Valves

Sizing



Use the following chart to select the suitable valve size.

In the event that the inlet pressure or the outlet pressure is not constant but stays within range, select the minimum difference in pressure between the inlet pressure and outlet pressure to choose the correct size.

Example

Inlet temperature : Saturated steam

Set pressure (inlet) : 0.5MPa

Outlet pressure : 0.25MPa

Flow : 700kg/h

Draw a vertical line downward from the intersecting point of 0.5MPa set pressure line and 0.25MPa outlet pressure line until it reach 700kg/h flow line (oblique).

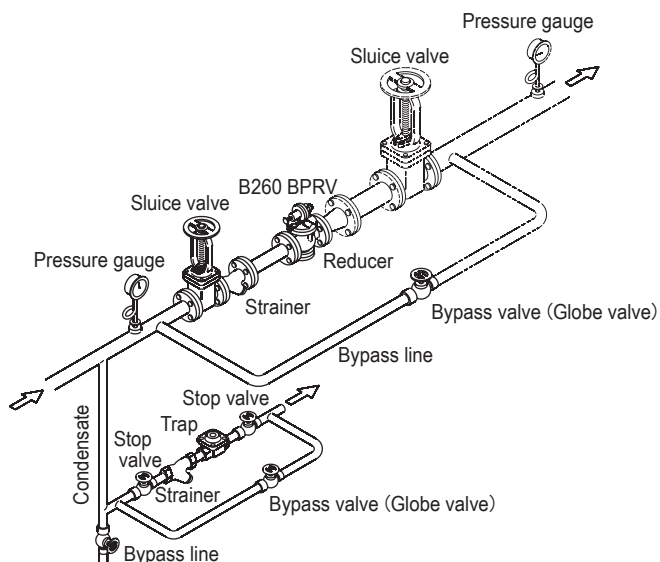
As the final point is between size 40 line and 50 line, the required valve size is 50.

Space required for disassembling and maintenance

(mm)

Size	15	20	25	32	40	50	65	80
Beneath the center of pipe line	200	200	200	200	220	250	270	300

Installation example



Note : Install upright in horizontal piping